



RAckOm- 2U,4U, 6U, 9U Wall Mount Pole mount IP55 Outdoor Cabinet

IP55 enclosure provides protection from level of harmful dust and provides protection from low pressure water jet and complete protection from vertical rain drops

Special Usability: - Smart Cities | Safe City Surveillance Projects | City Wi-Fi Projects | Solar | ITMS-RLVDS-SVDS | Fiber

Place of Origin: Faridabad Haryana (India)	Cabinet Height: 2U, 4U, 6U, 9U (For Dimension please see Below)
Brand Name: RAckOm [®] TM	Structure: Welded Structure, With Outdoor Silicon Sealant , EPDM IP Gasket, Locking Provision
Product Part Number Included : 2U-RSOD002-001 ~ RSOD002-004 4U-RSOD004-001 ~ RSOD004-008 6U-RSOD006-001 ~ RSOD006-008 9U-RSOD009-001 ~ RSOD009-008	Cabinet Layout: Single Wall, One compartment, for installing Standard 19" equipments, DIN Rail Mountable Equipments through 19" Horizontal Panel Support
Product Name: Outdoor Field Junction Box/rack/Cabinet/Enclosure	Fan Control Thermostat : On Requirement, not as standard supply or feature
Certifications: ISO 9001,ISO 14001, ISO 18001, IEC 60529-IP55, IEC 62321-RoHS	Protection Level: IP55 -Protection from low pressure jet, vertical rainwater or Natural way and limited Protection from harmful dust above 10-12 micron size
Application: Outdoor Telecom, CCTV Surveillance, Safe City Projects, Defence Projects Laser Fencing, City Wi-Fi, Network, ATMS, ITMS,ITC, Smart Cities Projects	Cable Entry: at cabinet bottom Through PG Glands Standards Size PG Glands PG16,PG19,PG21,PG25,PG29 PG Glands Placement : Bottom Rear Side & Front Side
Material: Galvanized Steel Single wall, thickness of : 1.0/1.2mm, thickness of equipment mounting angles: 1.2/1.5mm (Double wall optional with Outer 1.0mm Inner 0.8mm steel sheet with 20-25mm Insulation) (Higher Thickness like 1.5mm/1.6mm/2.0mm are subject to RFP/RFQ specific)	Illumination: 230V AC, DC 48V LED Lamp Optional (On requirement) With Door Limit Switch (not part of standard supply)
Heat Insulation:- Applicable in Double Wall Cabinets Only as Optional (on requirement)	Grounding Protection: Copper Stud Wire (Copper bar is optional)
Colour: Light Grey RAL 7035 as Standard Other Colours on requirement	Cooling: Forced air cooling 1 Fan 230V AC 90/100 CFM Standard in 4U 2 FAN 230V AC 90/100 CFM Standard in 6U & 9U (4 Fan optional in 9U) (DC Fan for telecom and other applications are optional)
Coating: anti-corrosion outdoor powder coating Pure Polyester 75-120 Micron	Accessories Options: PDU, Equipment Mounting Cage Nuts, Fresh Air Filter, Pole Mount Clamps, Cable Entry PG Glands, Cantilever shelf
Humidity : Relative Humidity : 5%~100%	Rain Canopy : Welded With Body Frame, 50mm Extra Coverage on front side, tapered to rear side
Air Pressure : 62kpa ~ 101kpa (similar to 0m ~ 5000m altitude)	Load Bearing Capacity On Octagonal Pole : 2U- 15-20 Kg 4U- 20-25 Kg 6U- 30-35 Kg 9U- 40-45 Kg
Radiation Intensity : Solar Radiation Intensity 1124 × (1±5%)W/m2	Welded Joint Sealant : Weatherproof Silicon Sealant on all joints to prevent water & dust ingress
Temperature: Working Temperature: -40°C ~ +55°C Storage Temperature: -50°C ~ + 70°C Transport Temperature: -50°C ~ +70°C	Cabinet Lock: Butterfly Lock , Pad Lock 2U & 4U With Single Butterfly/Cam Lock & Pad Lock Provision 6U With Single Butterfly Lock and Pad Lock Provision 9U With Dual Butterfly /Cam Lock with Pad Lock Provision
Mountings & Compatible Pole Diameter : 2U,4U,6U Wall & Pole Mount With Brackets 9U With Pole Mount, Wall Mount & Ground Mounting Provision	Required Pole Compatibility : Minimum 4 mm thickness octagonal or Hexagonal shape Pole only, Standard Pole Mount Clamp can accommodate 2 inch to 6 inch diameter pole Wall Mount Compatibility: Well Constructed wall with 10/12mm thick and 75-100mm Long Fasteners/anchor bolt. Ground Mount/Free Standing : Required 400mm x 700mm (H x W) Concrete Base with 12mm x 150mm J- bolt (however it depends upon level of ground, drain level, rain water deposition and other factors decided by consultant
Power Distribution Management : Standard Supply 6 Sockets 5 AMP Horizontal Power Distribution Unit 6 Sockets 5/15 AMP with 32A MCB (Optional on requirement) MCB DIN Rail On Side Walls : Optional (not standard supply)	Logistic Packing: For Domestic Supply -Five Ply Corrugated Box Packing With Safety Handling Stickers. For Export Supply : Five Ply Corrugated Box With Wooden Crate Packing
Fresh air Intake arrangement /vents : For 2U & 4U: Single 100mm x 100mm air Filter with Single louvers For 6U & 9U : Dual 100mm x 100mm air filter with Dual Louvers	Warranty: Two Years, Advance replacement of faulty parts on information. However Installation of part will be taken care by MSI/System Integrators or Contractor appointed by User or MSI/SI, Rackom is liable to provide only parts for two years, additional warranty for 3 Year, 5 Year, 7 Year available on additional cost or agreement with MSI/SI/Contractor

Single Skin Cabinet 2U Dimensional Datasheet

RAckOm Product Part No.	Height in U	Overall Height "H"	Usable Height "h1"	Overall Width "W"	Usable Width "w1"	Overall Depth "D"	Usable Depth "d1"
RSOD002-001	2U Pole mount Provision 10x250mm bolt Wall mount Provision-10x100mm anchor bolt	175mm	89mm	600mm	482.6mm (19 Inch)	300mm	250mm
RSOD002-002	2U Pole mount Provision 10x250mm bolt Wall mount Provision-10x100mm anchor bolt	175mm	89mm	600mm	482.6mm (19 Inch)	400mm	350mm
RSOD002-003	2U Pole mount Provision 10x250mm bolt Wall mount Provision-10x100mm anchor bolt	175mm	89mm	600mm	482.6mm (19 Inch)	500mm	450mm
RSOD002-004	2U Pole mount Provision 10x250mm bolt Wall mount Provision-10x100mm anchor bolt	175mm	89mm	600mm	482.6mm (19 Inch)	600mm	550mm

Single Skin Cabinet 4U Dimensional Datasheet

RAckOm Product Part No.	Height in U	Overall Height "H"	Usable Height "h1"	Overall Width "W"	Usable Width "w1"	Overall Depth "D"	Usable Depth "d1"
RSOD004-001	4U Pole mount Provision 10x250mm bolt Wall mount Provision-10x75mm anchor bolt	270mm	178mm	600mm	482.6mm (19 Inch)	300mm	250mm
RSOD004-002	4U Pole mount Provision 10x250mm bolt Wall mount Provision-10x100mm anchor bolt	270mm	178mm	600mm	482.6mm (19 Inch)	400mm	350mm
RSOD004-002A	4U Pole mount Provision 10x250mm bolt Wall mount Provision-10x100mm anchor bolt	270mm	178mm	600mm	482.6mm (19 Inch)	450mm	400mm
RSOD004-003	4U Pole mount Provision 10x250mm bolt Wall mount Provision-10x100mm anchor bolt	270mm	178mm	600mm	482.6mm (19 Inch)	500mm	450mm
RSOD004-004	4U Pole mount Provision 10x250mm bolt Wall mount Provision-10x100mm anchor bolt	270mm	178mm	600mm	482.6mm (19 Inch)	600mm	550mm

Single Skin Cabinet 6U Dimensional Datasheet

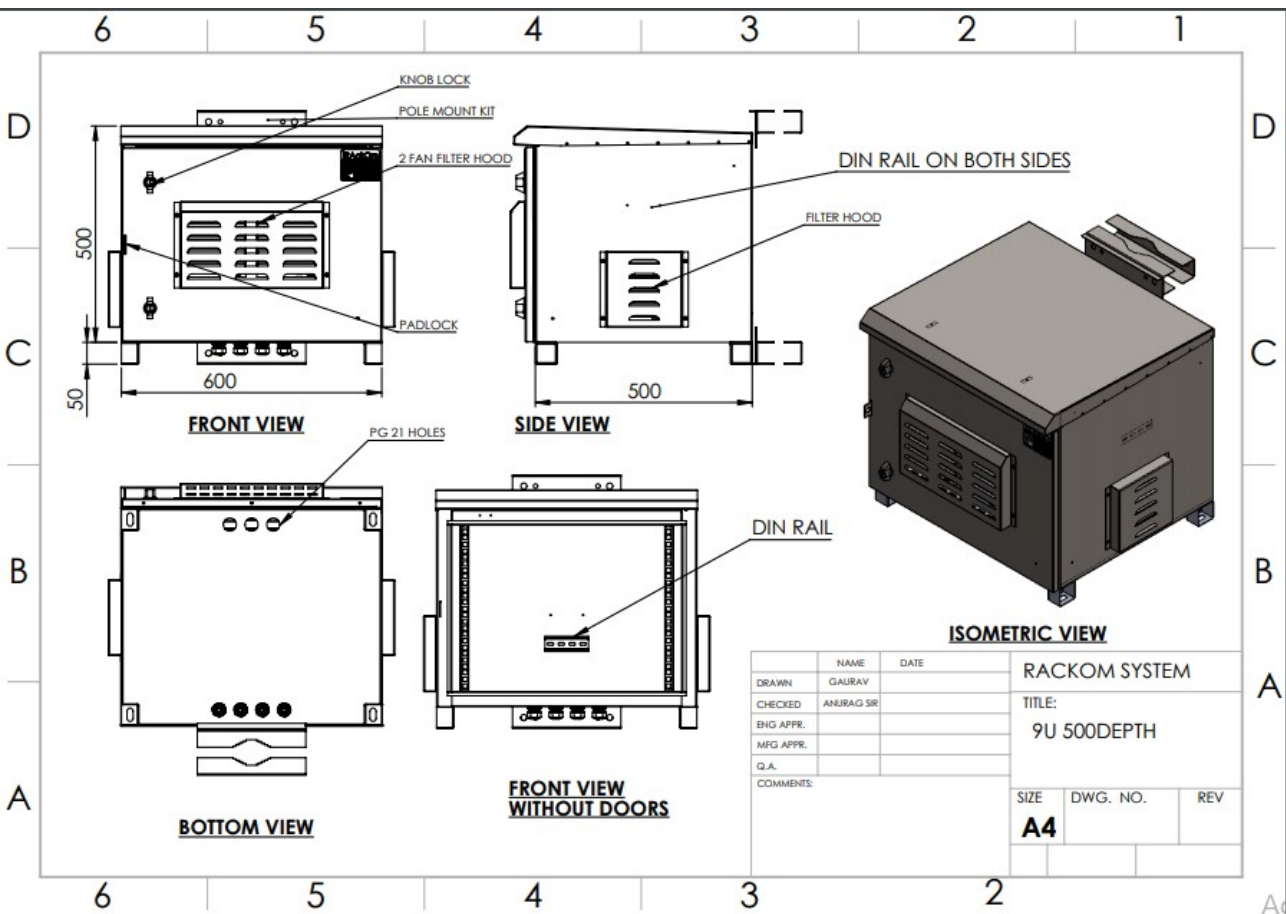
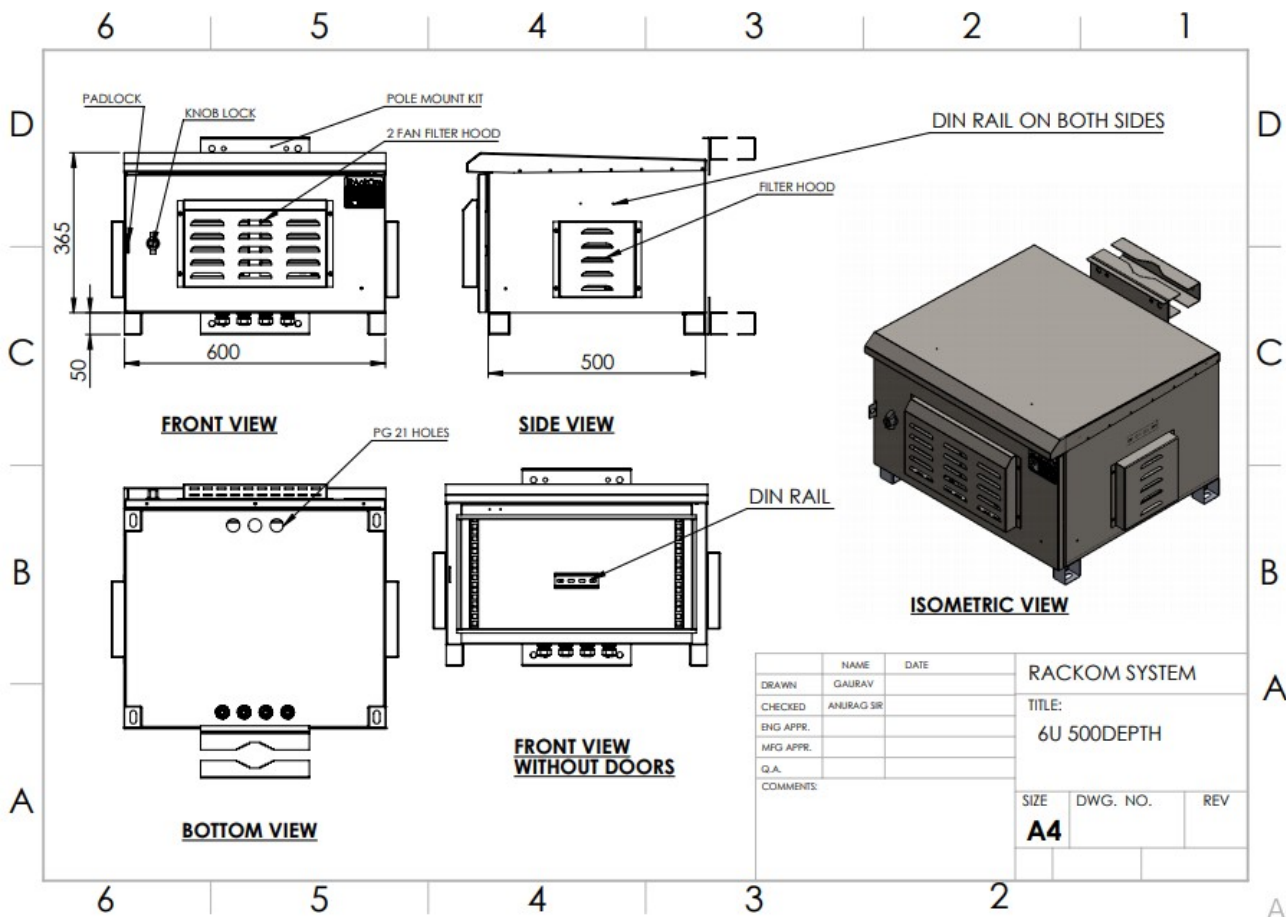
RAckOm Product Part No.	Height in U	Overall Height "H"	Usable Height "h1"	Overall Width "W"	Usable Width "w1"	Overall Depth "D"	Usable Depth "d1"
RSOD006-001	6U Pole mount Provision 10x250mm bolt Wall mount Provision-10x100mm anchor bolt Floor mount Provision- 12x100mm J Bolt	365mm	266mm	600mm	482.6mm (19 Inch)	300mm	250mm
RSOD006-001A	6U Pole mount Provision 10x250mm bolt Wall mount Provision-10x100mm anchor bolt Floor mount Provision- 12x100mm J Bolt	365mm	266mm	600mm	482.6mm (19 Inch)	350mm	300mm
RSOD006-002	6U Pole mount Provision 10x250mm bolt Wall mount Provision-10x100mm anchor bolt Floor mount Provision- 12x100mm J Bolt	365mm	266mm	600mm	482.6mm (19 Inch)	400mm	350mm
RSOD006-002A	6U Pole mount Provision 10x250mm bolt Wall mount Provision-10x100mm anchor bolt Floor mount Provision- 12x100mm J Bolt	365mm	266mm	600mm	482.6mm (19 Inch)	450mm	400mm
RSOD006-003	6U Pole mount Provision 10x250mm bolt Wall mount Provision-10x100mm anchor bolt Floor mount Provision- 12x100mm J Bolt	365mm	266mm	600mm	482.6mm (19 Inch)	500mm	450mm
RSOD006-003A	6U Pole mount Provision 10x250mm bolt Wall mount Provision-10x100mm anchor bolt Floor mount Provision- 12x100mm J Bolt	365mm	266mm	600mm	482.6mm (19 Inch)	550mm	500mm
RSOD006-004	6U Pole mount Provision 10x250mm bolt Wall mount Provision-10x100mm anchor bolt Floor mount Provision- 12x100mm J Bolt	365mm	266mm	600mm	482.6mm (19 Inch)	600mm	550mm
RSOD006-004A	6U Pole mount Provision 10x250mm bolt Wall mount Provision-10x100mm anchor bolt Floor mount Provision- 12x100mm J Bolt	365mm	266mm	600mm	482.6mm (19 Inch)	650mm	600mm
RSOD006-005	6U- Floor Mount Provision (Recommended) 12x150mm J type Bolt on concrete base or, 12x 100/150mm Anchor Bolt	365mm	266mm	600mm	482.6mm (19 Inch)	700mm	650mm
RSOD006-006	6U- Floor Mount Provision (Recommended) 12x150mm J type Bolt on concrete base or, 12x 100/150mm Anchor Bolt	365mm	266mm	600mm	482.6mm (19 Inch)	800mm	750mm
RSOD006-007	6U- Floor Mount Provision (Recommended) 12x150mm J type Bolt on concrete base or, 12x 100/150mm Anchor Bolt	365mm	266mm	800mm	482.6mm (19 Inch)	600mm	550mm
RSOD006-007A	6U- Floor Mount Provision (Recommended) 12x150mm J type Bolt on concrete base or, 12x 100/150mm Anchor Bolt	365mm	266mm	800mm	482.6mm (19 Inch)	700mm	650mm
RSOD006-008	6U- Floor Mount Provision (Recommended) 12x150mm J type Bolt on concrete base or, 12x 100/150mm Anchor Bolt	365mm	266mm	800mm	482.6mm (19 Inch)	800mm	750mm

Single Skin Cabinet 9U Dimensional Datasheet

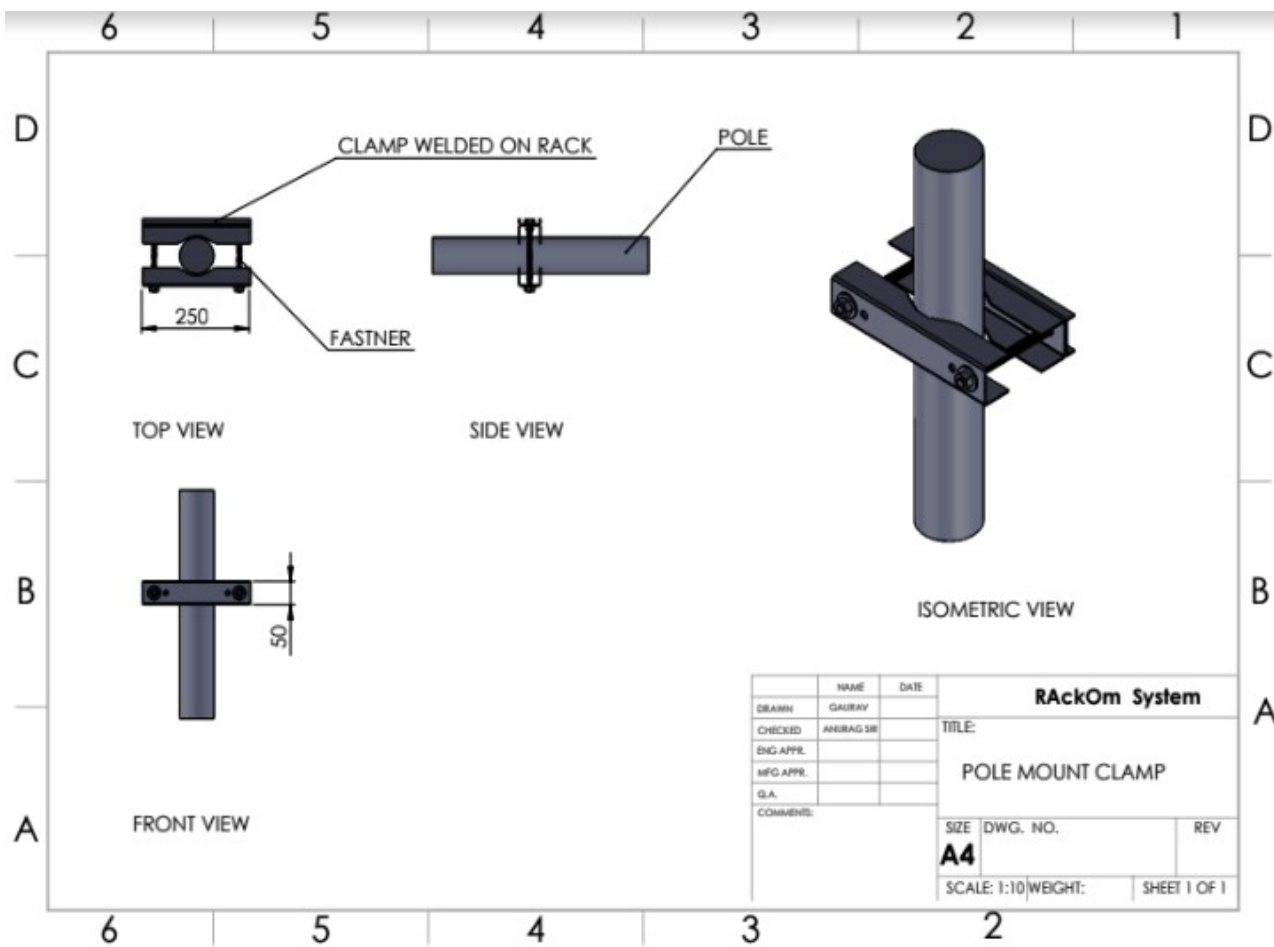
RackOm Product Part No.	Height in U	Overall Height "H"	Usable Height "h1"	Overall Width "W"	Usable Width "w1"	Overall Depth "D"	Usable Depth "d1"
RSOD009-001	9U Pole mount Provision 10x250mm bolt Wall mount Provision-10x100mm anchor bolt Floor mount Provision- 12x100mm J Bolt	500mm	400mm	600mm	482.6mm (19 Inch)	300mm	250mm
RSOD009-001A	9U Pole mount Provision 10x250mm bolt Wall mount Provision-10x100mm anchor bolt Floor mount Provision- 12x100mm J Bolt	500mm	400mm	600mm	482.6mm (19 Inch)	350mm	300mm
RSOD009-002	9U Pole mount Provision 10x250mm bolt Wall mount Provision-10x100mm anchor bolt Floor mount Provision- 12x100mm J Bolt	500mm	400mm	600mm	482.6mm (19 Inch)	400mm	350mm
RSOD009-002A	9U Pole mount Provision 10x250mm bolt Wall mount Provision-10x100mm anchor bolt Floor mount Provision- 12x100mm J Bolt	500mm	400mm	600mm	482.6mm (19 Inch)	450mm	400mm
RSOD009-003	9U Pole mount Provision 10x250mm bolt Wall mount Provision-10x100mm anchor bolt Floor mount Provision- 12x100mm J Bolt	500mm	400mm	600mm	482.6mm (19 Inch)	500mm	450mm
RSOD009-003A	9U Pole mount Provision 10x250mm bolt Wall mount Provision-10x100mm anchor bolt Floor mount Provision- 12x100mm J Bolt	500mm	400mm	600mm	482.6mm (19 Inch)	550mm	500mm
RSOD009-004	9U Pole mount Provision 10x250mm bolt Wall mount Provision-10x100mm anchor bolt Floor mount Provision- 12x100mm J Bolt	500mm	400mm	600mm	482.6mm (19 Inch)	600mm	550mm
RSOD009-004A	9U Pole mount Provision 10x250mm bolt Wall mount Provision-10x100mm anchor bolt Floor mount Provision- 12x100mm J Bolt	500mm	400mm	600mm	482.6mm (19 Inch)	650mm	600mm
RSOD009-005	9U- Floor Mount Provision (Recommended) 12x150mm J type Bolt on concrete base or, 12x 100/150mm Anchor Bolt	500mm	400mm	600mm	482.6mm (19 Inch)	700mm	650mm
RSOD009-006	9U- Floor Mount Provision (Recommended) 12x150mm J type Bolt on concrete base or, 12x 100/150mm Anchor Bolt	500mm	400mm	600mm	482.6mm (19 Inch)	800mm	750mm
RSOD009-007	9U- Floor Mount Provision (Recommended) 12x150mm J type Bolt on concrete base or, 12x 100/150mm Anchor Bolt	500mm	400mm	800mm	482.6mm (19 Inch)	600mm	550mm
RSOD009-007A	9U- Floor Mount Provision (Recommended) 12x150mm J type Bolt on concrete base or, 12x 100/150mm Anchor Bolt	500mm	400mm	800mm	482.6mm (19 Inch)	700mm	650mm
RSOD009-008	9U- Floor Mount Provision (Recommended) 12x150mm J type Bolt on concrete base or, 12x 100/150mm Anchor Bolt	500mm	400mm	800mm	482.6mm (19 Inch)	800mm	750mm

Please Note:

- These are Standard U Racks With EIA 310/ DIN 41494 -19" Standard Equipment Mounting
- Dimensions are Given for Single Skin/Wall Outdoor Cabinets
- Rackom Standard Cabinet Sheet thickness is 1.0mm or 1.2mm Galvanized Steel (For Pole Mount) With 80-120 Micron Pure Polyester Powder Coating
- All IP66 Cabinets are Without Fresh Air Intake Filters and Without Cooling FANS, However Cooling Fans Can be installed (if permitted by the User) For Only hot air Vent From Cabinet with Compromised IP66 Rating
- Pictures shown in datasheet are only for Understanding actual product may vary from actual product or as per Project requirement
- For Coastal areas or marine applications we have different Product range
- Ground Mounting arrangement (J-hooks/Bolts) not in Scope of Supply, RACKOM Provides Pole Mount Clamps or Wall Mount Fasteners as standard Supply



POLE MOUNT PROVISION



IP RATING EXPLAINED



IP Rating Chart

IP (Ingress Protection) ratings are determined by combining the first and second digits of the columns below.

1st Digit: Solids

2nd Digit: Liquids

Unprotected. No protection against solids or dust. **0**

Unprotected. No protection against liquids. **0**

Protection against solid objects greater than 50 mm. **1**

Protection against drops of water. **1**

Protection against solid objects greater than 12.5 mm. **2**

Protection against drops of water at a 15° angle. **2**

Protection against solid objects greater than 2.5 mm. **3**

Protection against water spray at a 60° degree angle. **3**

Protection against solid objects greater than 1.0 mm. **4**

Protection against splashes from any angle. **4**

Protected against ingress of dust sufficient to cause harm. **5**

Protection against low-pressure water jets from any angle. **5**

Dust tight. Complete protection against ingress of dust. **6**

Protection against powerful jets of water and rough seas. **6**

Protection against submersion in water, 30 min. at a depth of 3 ft. **7**

Protection against permanent submersion, up to a 13 ft. depth. **8**

EX: An IP65-rated unit is protected against ingress of dust as well as water jets from all directions.