



## RackOm- 12U,15U Wall Mount Pole mount IP55 Outdoor Cabinet

IP55 enclosure provides protection from level of harmful dust and provides protection from low pressure water jet and complete protection from vertical rain drops

**Special Usability: - Smart Cities | Safe City Surveillance Projects | City Wi-Fi Projects | Solar | ITMS-RLVDS-SVDS | Fiber**

<b>Place of Origin:</b> Faridabad Haryana (India)	<b>Cabinet Height:</b> 12U,15U (For Dimension please see Below)
<b>Brand Name:</b> RackOm <sup>®</sup> TM	<b>Structure:</b> Welded Structure, With Outdoor Silicon Sealant , EPDM IP Gasket, Locking Provision
<b>Product Part Number Included :</b> 12U- RSOD012-001 ~ RSOD012-008 15U-RSOD015-001 ~ RSOD015-008	<b>Cabinet Layout:</b> Single Wall, One compartment, for installing Standard 19" equipments, DIN Rail Mountable Equipments through 19" Horizontal Panel Support
<b>Product Name:</b> Outdoor Field Junction Box/rack/Cabinet/Enclosure	Fan Control Thermostat : On Requirement, not as standard supply or feature
<b>Certifications:</b> ISO 9001,ISO 14001, ISO 18001, IEC 60529-IP55, IEC 62321-RoHS	<b>Protection Level:</b> IP55 -Protection from low pressure jet, vertical rainwater or Natural way and limited Protection from harmful dust above 10-12 micron size
<b>Application:</b> Outdoor Telecom, CCTV Surveillance, Safe City Projects, Defence Projects Laser Fencing, City Wi-Fi, Network, ATMS, ITMS,ITC, Smart Cities Projects	<b>Cable Entry:</b> at cabinet bottom Through PG Glands Standards Size PG Glands PG16,PG19,PG21,PG25,PG29 PG Glands Placement : Bottom Rear Side & Front Side
<b>Material:</b> Galvanized Steel Single wall, thickness of : 1.0/1.2mm, thickness of equipment mounting angles: 1.2/1.5mm (Double wall optional with Outer 1.0mm Inner 0.8mm steel sheet with 20-25mm Insulation) (Higher Thickness like 1.5mm/1.6mm/2.0mm are subject to RFP/RFQ specific)	<b>Illumination:</b> 230V AC, DC 48V LED Lamp Optional ( On requirement) With Door Limit Switch (not part of standard supply)
<b>Heat Insulation:-</b> Applicable in Double Wall Cabinets Only as Optional (on requirement)	<b>Grounding Protection:</b> Copper Stud Wire ( Copper bar is optional)
<b>Colour:</b> Light Grey RAL 7035 as Standard Other Colours on requirement	<b>Cooling:</b> Forced air cooling 2 FAN 230V AC 90/100 CFM Standard in 12U &15U (4 Fan optional ) ( DC Fan for telecom and other applications are optional)
<b>Coating:</b> anti-corrosion outdoor powder coating Pure Polyester 75-120 Micron	<b>Accessories Options:</b> PDU, Equipment Mounting Cage Nuts, Fresh Air Filter, Pole Mount Clamps, Cable Entry PG Glands, Cantilever shelf
<b>Humidity :</b> Relative Humidity : 5%~100%	<b>Rain Canopy :</b> Welded With Body Frame, 50mm Extra Coverage on front side, tapered to rear side
<b>Air Pressure :</b> 62kpa ~ 101kpa (similar to 0m ~ 5000m altitude)	<b>Load Bearing Capacity On Octagonal Pole :</b> 12U- 40-45 Kg   15U- 45-50 Kg
<b>Radiation Intensity :</b> Solar Radiation Intensity 1124 × (1±5%)W/m2	<b>Welded Joint Sealant :</b> Weatherproof Silicon Sealant on all joints to prevent water & dust ingress
<b>Temperature:</b> Working Temperature: -40°C ~ +55°C Storage Temperature: -50°C ~ + 70°C Transport Temperature: -50°C ~ +70°C	<b>Cabinet Lock:</b> Butterfly Lock , Pad Lock  12U With Dual Butterfly Lock and Pad Lock Provision 15U With Dual Butterfly /Cam Lock with Pad Lock Provision
<b>Mountings &amp; Compatible Pole Diameter :</b> 12U & 15U With Pole Mount, Wall Mount & Ground Mounting Provision with 50mm Plinth ( Optional 100mm,150mm or Higher Plinth On Requirement)	<b>Required Pole Compatibility :</b> Minimum 4 mm thickness octagonal or Hexagonal shape Pole only, Standard Pole Mount Clamp can accommodate 2 inch to 6 inch diameter pole  <b>Wall Mount Compatibility:</b> Well Constructed wall with 10/12mm thick and 75-100mm Long Fasteners/anchor bolt.  <b>Ground Mount/Free Standing : Required</b> 400mm x 700mm ( H x W) Concrete Base with 12mm x 150mm J- bolt ( however it depends upon Rack Plinth Dimensions, level of ground, drain level, rain water deposition and other factors decided by consultant
<b>Power Distribution Management :</b> Standard Supply 6 Sockets 5 AMP Horizontal Power Distribution Unit 6 Sockets 5/15 AMP with 32A MCB (Optional on requirement) MCB DIN Rail On Side Walls : Optional (not standard supply)	<b>Logistic Packing:</b> For Domestic Supply -Five Ply Corrugated Box Packing With Safety Handling Stickers. For Export Supply : Five Ply Corrugated Box With Wooden Crate Packing
<b>Fresh air Intake arrangement /vents :</b> For 12U & 15U : Dual 100mm x 100mm air filter with Dual Louvers ( Maximum 4 Filter can be Mount On Requirement)	<b>Warranty:</b> Two Years, Advance replacement of faulty parts on information. However Installation of part will be taken care by MSI/System Integrators or Contractor appointed by User or MSI/SI, Rackom is liable to provide only parts for two years, additional warranty for 3 Year, 5 Year, 7 Year available on additional cost or agreement with MSI/SI/Contractor

## Single Skin Cabinet 12U Dimensional Datasheet

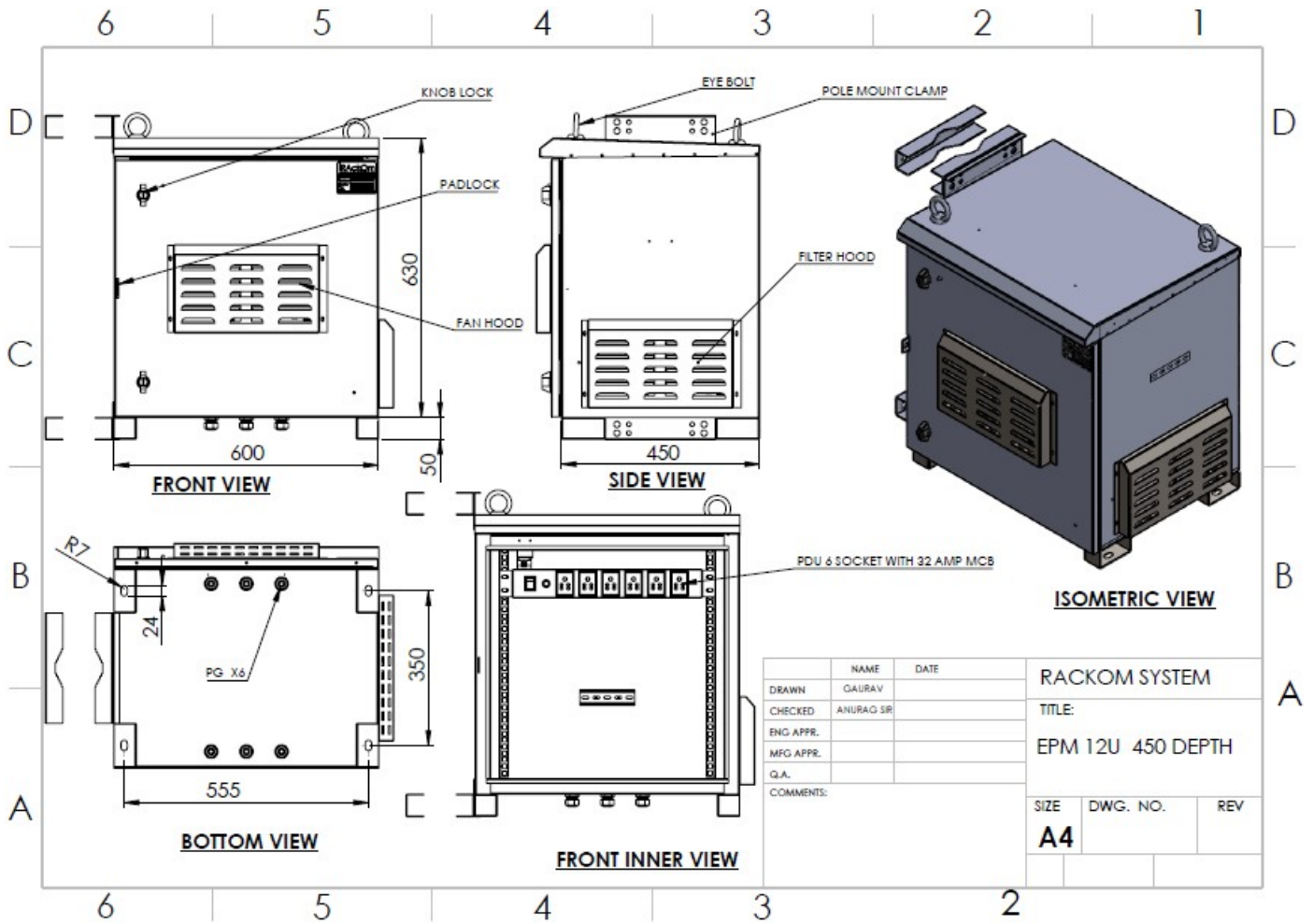
RackOm Product Part No.	Height in U	Overall Height “H”	Usable Height “h1”	Overall Width “W”	Usable Width “w1”	Overall Depth “D”	Usable Depth “d1”
RSOD012-001	12U Pole mount Provision 10x250mm bolt Wall mount Provision-10x100mm anchor bolt Floor mount Provision- 12x100mm J Bolt	625mm	533mm	600mm	482.6mm (19 Inch)	300mm	250mm
RSOD012-001A	12U Pole mount Provision 10x250mm bolt Wall mount Provision-10x100mm anchor bolt Floor mount Provision- 12x100mm J Bolt	625mm	533mm	600mm	482.6mm (19 Inch)	350mm	300mm
RSOD012-002	12U Pole mount Provision 10x250mm bolt Wall mount Provision-10x100mm anchor bolt Floor mount Provision- 12x100mm J Bolt	625mm	533mm	600mm	482.6mm (19 Inch)	400mm	350mm
RSOD012-002A	12U Pole mount Provision 10x250mm bolt Wall mount Provision-10x100mm anchor bolt Floor mount Provision- 12x100mm J Bolt	625mm	533mm	600mm	482.6mm (19 Inch)	450mm	400mm
RSOD0012-003	12U Pole mount Provision 10x250mm bolt Wall mount Provision-10x100mm anchor bolt Floor mount Provision- 12x100mm J Bolt	625mm	533mm	600mm	482.6mm (19 Inch)	500mm	450mm
RSOD012-003A	12U Pole mount Provision 10x250mm bolt Wall mount Provision-10x100mm anchor bolt Floor mount Provision- 12x100mm J Bolt	625mm	533mm	600mm	482.6mm (19 Inch)	550mm	500mm
RSOD012-004	12U Pole mount Provision 10x250mm bolt Wall mount Provision-10x100mm anchor bolt Floor mount Provision- 12x100mm J Bolt	625mm	533mm	600mm	482.6mm (19 Inch)	600mm	550mm
RSOD012-004A	12U Pole mount Provision 10x250mm bolt Wall mount Provision-10x100mm anchor bolt Floor mount Provision- 12x100mm J Bolt	625mm	533mm	600mm	482.6mm (19 Inch)	650mm	600mm
RSOD012-005	12U- Floor Mount Provision (Recommended) 12x150mm J type Bolt on concrete base or, 12x 100/150mm Anchor Bolt	625mm	533mm	600mm	482.6mm (19 Inch)	700mm	650mm
RSOD012-006	12U- Floor Mount Provision (Recommended) 12x150mm J type Bolt on concrete base or, 12x 100/150mm Anchor Bolt	625mm	533mm	600mm	482.6mm (19 Inch)	800mm	750mm
RSOD012-007	12U- Floor Mount Provision (Recommended) 12x150mm J type Bolt on concrete base or, 12x 100/150mm Anchor Bolt	625mm	533mm	800mm	482.6mm (19 Inch)	600mm	550mm
RSOD012-007A	12U- Floor Mount Provision (Recommended) 12x150mm J type Bolt on concrete base or, 12x 100/150mm Anchor Bolt	625mm	533mm	800mm	482.6mm (19 Inch)	700mm	650mm
RSOD012-008	12U- Floor Mount Provision (Recommended) 12x150mm J type Bolt on concrete base or, 12x 100/150mm Anchor Bolt	625mm	533mm	800mm	482.6mm (19 Inch)	800mm	750mm

**Please Note:**

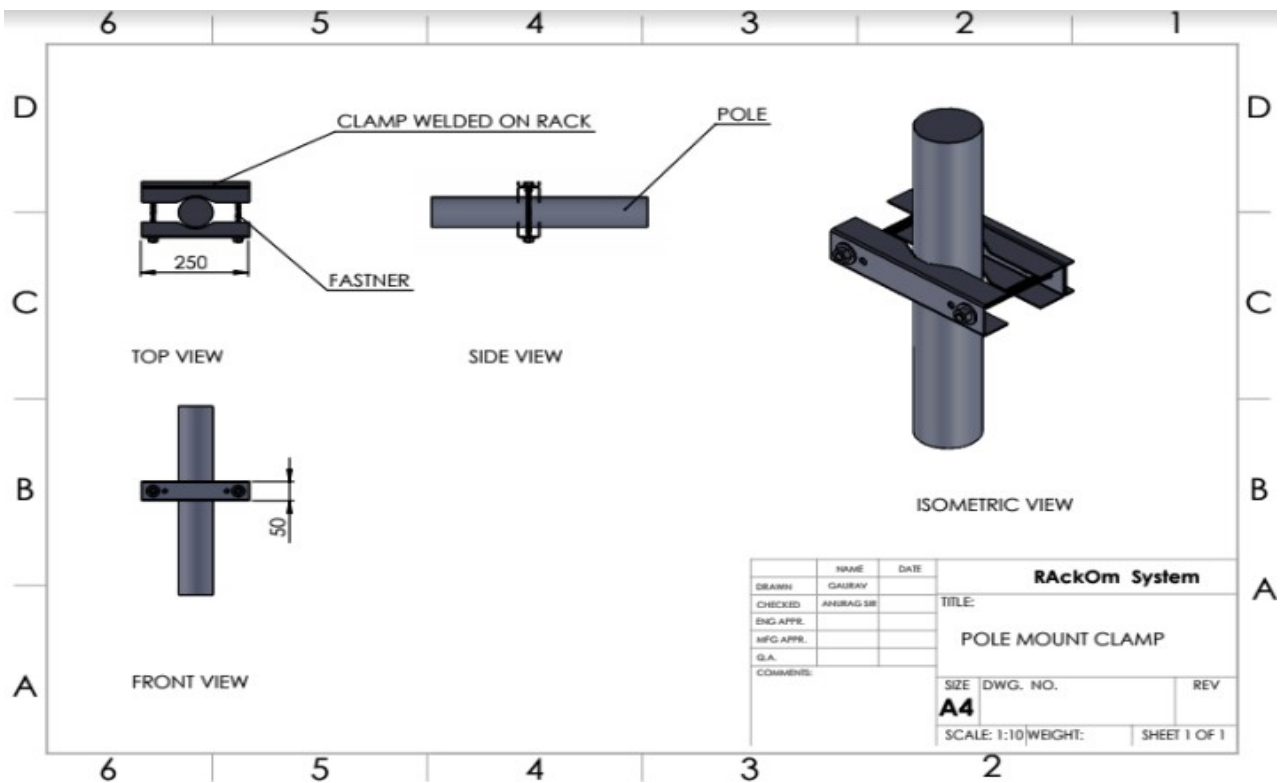
- > These are Standard U Racks With EIA 310/ DIN 41494 -19” Standard Equipment Mounting
- > Dimensions are Given for Single Skin/Wall Outdoor Cabinets
- > Rackom Standard Cabinet Sheet thickness is 1.0mm or 1.2mm Galvanized Steel (For Pole Mount) With 80-120 Micron Pure Polyester Powder Coating
- > All IP66 Cabinets are Without Fresh Air Intake Filters and Without Cooling FANS, However Cooling Fans Can be installed (if permitted by the User) For Only hot air Vent From Cabinet with Compromised IP66 Rating
- > Pictures shown in datasheet are only for Understanding actual product may vary from actual product or as per Project requirement
- > For Coastal areas or marine applications we have different Product range
- > Ground Mounting arrangement (J-hooks/Bolts) not in Scope of Supply, RACKOM Provides Pole Mount Clamps or Wall Mount Fasteners as standard Supply

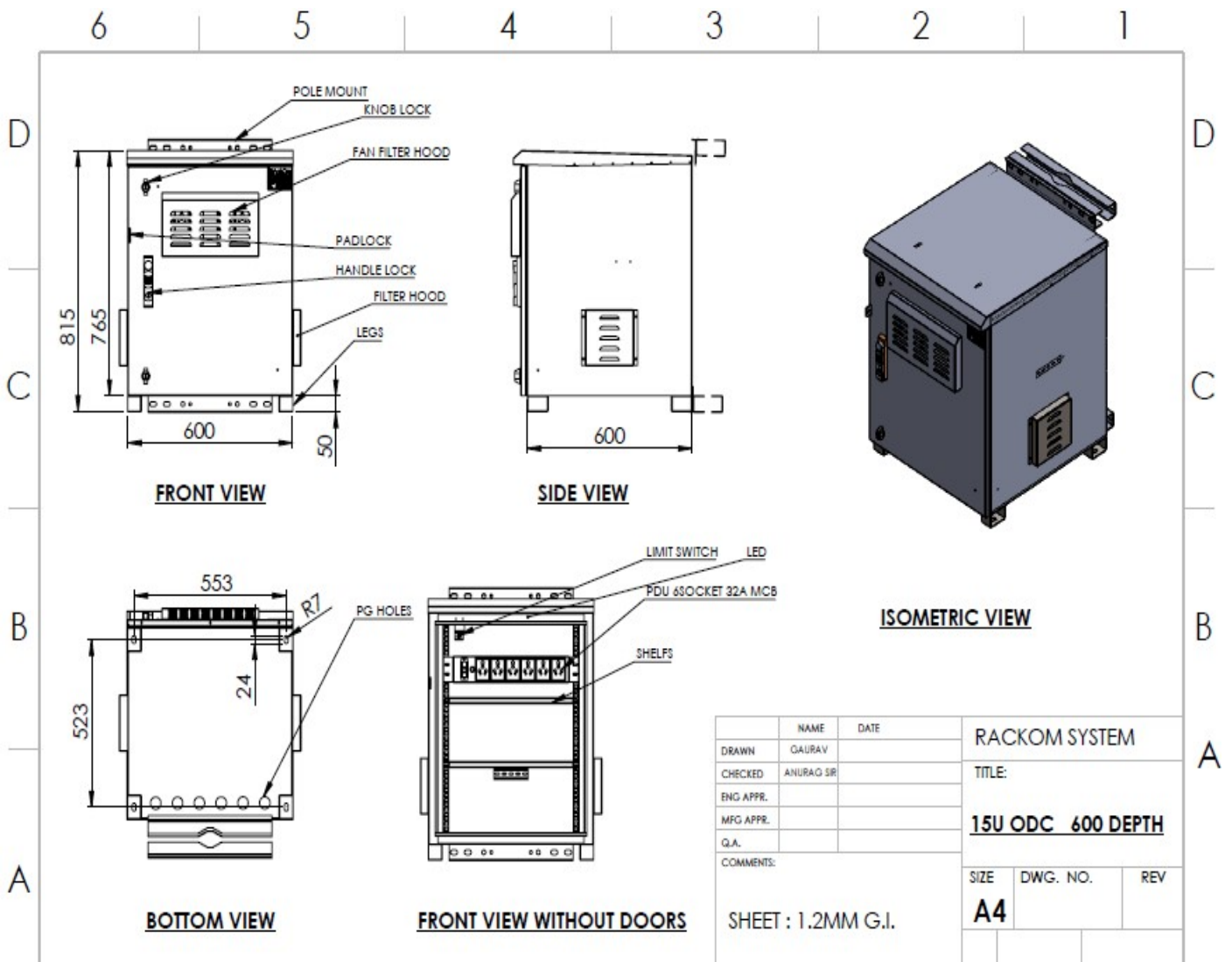
## Single Skin Cabinet 15U Dimensional Datasheet

RackOm Product Part No.	Height in U	Overall Height “H”	Usable Height “h1”	Overall Width “W”	Usable Width “w1”	Overall Depth “D”	Usable Depth “d1”
RSOD015-001	15U Pole mount Provision 10x250mm bolt Wall mount Provision-10x100mm anchor bolt Floor mount Provision- 12x100mm J Bolt	765mm	666mm	600mm	482.6mm (19 Inch)	300mm	250mm
RSOD015-001A	15U Pole mount Provision 10x250mm bolt Wall mount Provision-10x100mm anchor bolt Floor mount Provision- 12x100mm J Bolt	765mm	666mm	600mm	482.6mm (19 Inch)	350mm	300mm
RSOD015-002	15U Pole mount Provision 10x250mm bolt Wall mount Provision-10x100mm anchor bolt Floor mount Provision- 12x100mm J Bolt	765mm	666mm	600mm	482.6mm (19 Inch)	400mm	350mm
RSOD015-002A	15U Pole mount Provision 10x250mm bolt Wall mount Provision-10x100mm anchor bolt Floor mount Provision- 12x100mm J Bolt	765mm	666mm	600mm	482.6mm (19 Inch)	450mm	400mm
RSOD0015-003	15U Pole mount Provision 10x250mm bolt Wall mount Provision-10x100mm anchor bolt Floor mount Provision- 12x100mm J Bolt	765mm	666mm	600mm	482.6mm (19 Inch)	500mm	450mm
RSOD015-003A	15U Pole mount Provision 10x250mm bolt Wall mount Provision-10x100mm anchor bolt Floor mount Provision- 12x100mm J Bolt	765mm	666mm	600mm	482.6mm (19 Inch)	550mm	500mm
RSOD015-004	15U Pole mount Provision 10x250mm bolt Wall mount Provision-10x100mm anchor bolt Floor mount Provision- 12x100mm J Bolt	765mm	666mm	600mm	482.6mm (19 Inch)	600mm	550mm
RSOD015-004A	15U Pole mount Provision 10x250mm bolt Wall mount Provision-10x100mm anchor bolt Floor mount Provision- 12x100mm J Bolt	765mm	666mm	600mm	482.6mm (19 Inch)	650mm	600mm
RSOD015-005	15U- Floor Mount Provision (Recommended) 12x150mm J type Bolt on concrete base or, 12x 100/150mm Anchor Bolt	765mm	666mm	600mm	482.6mm (19 Inch)	700mm	650mm
RSOD015-006	15U- Floor Mount Provision (Recommended) 12x150mm J type Bolt on concrete base or, 12x 100/150mm Anchor Bolt	765mm	666mm	600mm	482.6mm (19 Inch)	800mm	750mm
RSOD015-007	15U- Floor Mount Provision (Recommended) 12x150mm J type Bolt on concrete base or, 12x 100/150mm Anchor Bolt	765mm	666mm	800mm	482.6mm (19 Inch)	600mm	550mm
RSOD015-007A	15U- Floor Mount Provision (Recommended) 12x150mm J type Bolt on concrete base or, 12x 100/150mm Anchor Bolt	765mm	666mm	800mm	482.6mm (19 Inch)	700mm	650mm
RSOD015-008	15U- Floor Mount Provision (Recommended) 12x150mm J type Bolt on concrete base or, 12x 100/150mm Anchor Bolt	765mm	666mm	800mm	482.6mm (19 Inch)	800mm	750mm



**POLE MOUNT PROVISION**





**IP RATING EXPLAINED**





# IP Rating Chart

IP (Ingress Protection) ratings are determined by combining the first and second digits of the columns below.

## 1<sup>st</sup> Digit: Solids

## 2<sup>nd</sup> Digit: Liquids

Unprotected. No protection against solids or dust. **0**

Unprotected. No protection against liquids. **0**

Protection against solid objects greater than 50 mm. **1**

Protection against drops of water. **1**

Protection against solid objects greater than 12.5 mm. **2**

Protection against drops of water at a 15° angle. **2**

Protection against solid objects greater than 2.5 mm. **3**

Protection against water spray at a 60° degree angle. **3**

Protection against solid objects greater than 1.0 mm. **4**

Protection against splashes from any angle. **4**

Protected against ingress of dust sufficient to cause harm. **5**

Protection against low-pressure water jets from any angle. **5**

Dust tight. Complete protection against ingress of dust. **6**

Protection against powerful jets of water and rough seas. **6**

Protection against submersion in water, 30 min. at a depth of 3 ft. **7**

Protection against permanent submersion, up to a 13 ft. depth. **8**

**EX: An IP65-rated unit is protected against ingress of dust as well as water jets from all directions.**



